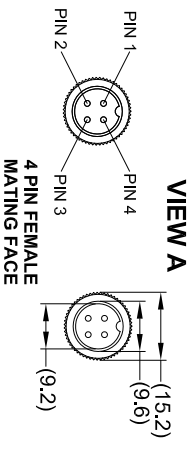
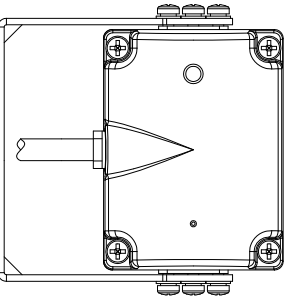
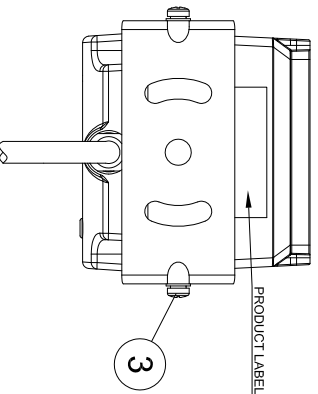
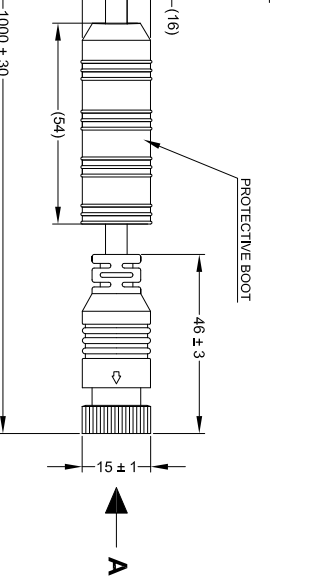
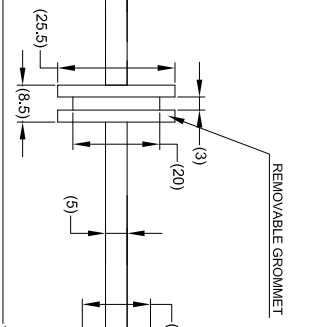
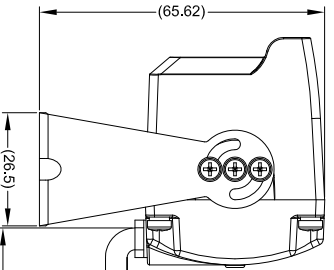
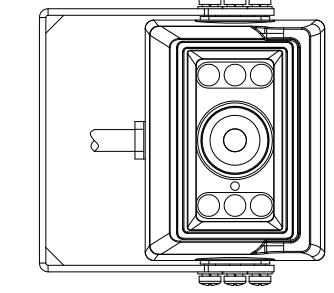
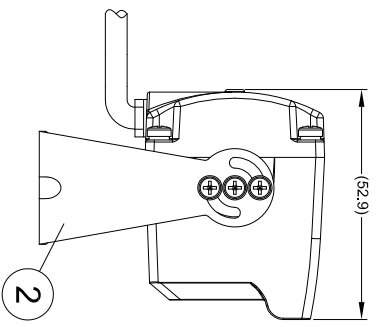
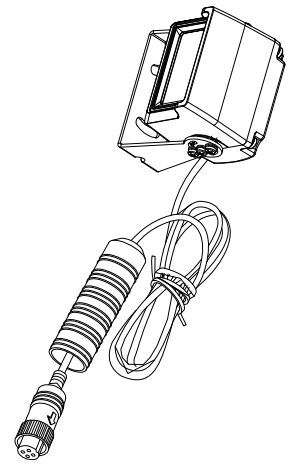
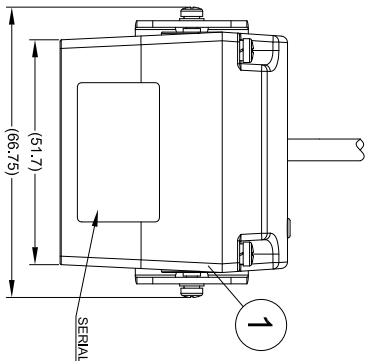


Revision Notes	
R1 -	
Appr. -	Drawn -
Checked -	Approved -
	Date -

ITEM	PART NO.	QTY	MODEL / DESCRIPTION
①	(3919A)	1	VBV-621C-C CAMERA ONLY
②	(3959A)	1	VBV-622C-SMT CAMERA BRACKET
③	(3959A)	1	VBV-622C-SMT CAMERA BRACKET
④	(3959A)	1	VBV-622C-HG INSTALLATION GUIDE (NOT SHOWN)

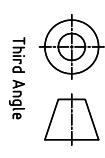


PIN #	WIRE COLOUR	DESCRIPTION
1	RED	+12V
2	BLACK/SHEILD	GND
3	WHITE	GND
4	YELLOW	VIDEO

- NOTES:**
1. REFER TO PRODUCT SPECIFICATIONS FOR PRODUCT SPECIFICATIONS.
 2. REFER TO COMPONENT DRAWINGS FOR COMPONENT DETAILS.
 3. FOR GIFTBOX LABEL REFER TO LATEST REVISION OF DRAWING BE-003022-XX-14.
 4. FOR GIFTBOX SERIAL NUMBER LABEL, REFER TO LATEST REVISION OF DRAWING BE-001323-XX-14.
 5. PURCHASE ORDER TO DEFINE PACKAGING VARIANT.
 6. FOR PACKAGING REFER TO LATEST REVISION OF DRAWING BE-002761-XX-14.

PROPRIETARY NOTICE
 THIS DESIGN AND TECHNICAL INFORMATION APPEARING ON THIS DRAWING IS THE PROPERTY OF BRIGADE ELECTRONICS, AND IS DISCLOSED IN CONFIDENCE. IT IS NOT TO BE COPIED, REPRODUCED, REVEALED TO OR EXPLOITED BY OTHERS, EITHER IN WHOLE OR IN PART WITHOUT THE EXPRESS WRITTEN CONSENT OF BRIGADE ELECTRONICS.

BRIGADE®
 www.brigade-electronics.com



Assembly Pl Approval		Approved by		Checked by		Drawn by	
YILING ZHANG(27/02/15)		B. JOHN		RBATES		MBUTLER	
Units	Scale	Released	Assembly Ref				
mm	N/A	27/02/15	-				
Status	VBV-621C						
RELEASED							
Part No	BE-003066-00-15						
3684A							

1 2 3 4 5 6 7 8
 H G F E D C B A
 H G F E D C B A
 Frame V3